



**STEERABLE & NON-STEERABLE  
LIFT AXLES BRACKET KITS**



---

A DIVISION OF  HIGH BAR BRANDS

---

# Steerable Lift Axles Bracket Kits

---

Minimizer provides spindle and axle mounted fender bracket kits designed for compatibility with various makes and models of steerable and non-steerable lift axles.

- Brackets are intended for use on many different heavy truck and trailer applications.
- Brackets are compatible only with select Minimizer fenders.

\* Refer to bracket spec sheets (pages 5-23) for fender compatibility details

## TYPES OF BRACKET KITS

1. Brackets designed for specific axle makes and models
2. Brackets for universal air brake configurations used on all axle brands with varying capacities

## WARRANTY TERMS

Minimizer Steerable Axle brackets are designed for use only with Minimizer poly fenders.

Bracket Warranty is void if attached to a fender that is not Minimizer brand.

Refer to <https://www.minimizer.com/warranty-and-return-policy/> for full warranty terms

---

## FENDER SELECTION

For 8K -13K steerable Lift axles, see specs below for the proper fender to match the tire size (width):

- MIN161200 Series Fender – Fits tire sizes up to a 255
- MIN221800 Series Fender– Fits tire sizes of 255 thru 385
- MIN2220 Series Fender – Fits tire sizes of 385 or larger

For all 20K steerable lift axles, Minimizer recommends the MIN2220 series fender.  
For non-steer axles use MIN221800 series fender.



MIN161200 Series



MIN221800 Series



MIN2220 Series

## AXLE SPECIFICATIONS

Information required to determine bracket fitment for each truck or trailer application:

- Axle Manufacturer
- Model #
- Capacity of Axle (influences wheel & tire size)
- Type of Brakes
  - Drum Brakes ( s-cam)
  - Disc Brakes
- Clock position of camshaft tube
- Hub Bolt Pattern (4 or 8)
- Attachment Method of brake camshaft tube
  - Bolted
    - Pattern of the cam tube mounting bolts (if bolted connection)
    - Determine center-to-center bolt spacing measurements
  - Welded
    - Requires model specific brackets for these situations.

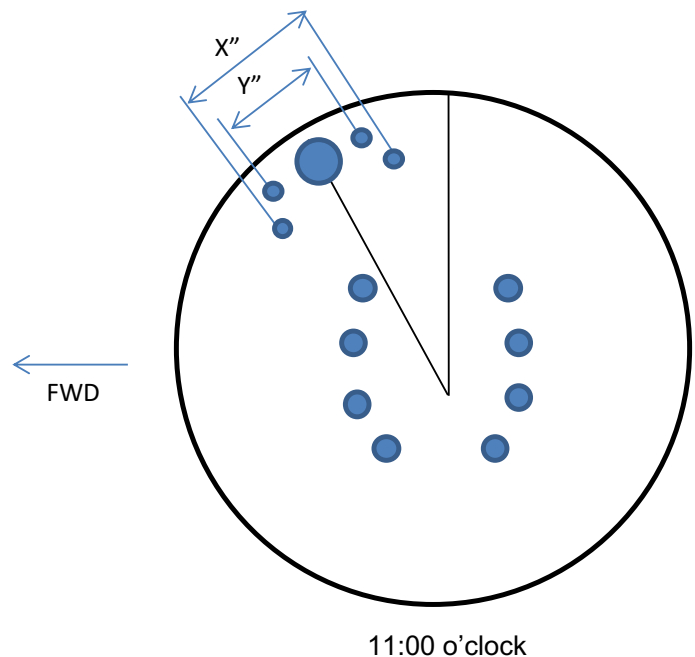
---

## SPINDLE DIAGRAMS

Spindle diagrams are a tool to show position of the s-cam tube and identify the pattern and spacing of cam flange bolts (if applicable).

- The drawings are designed to be viewed from the outside of the wheel looking in on the driver's side of the vehicle.
- The clock position of the camshaft tube (large blue circle) and the spacing of the cam-tube-flange mounting bolts are shown in detail.
- Brackets designed for axles with welded cam tubes may have alternative diagrams.

### Example Spindle Diagram



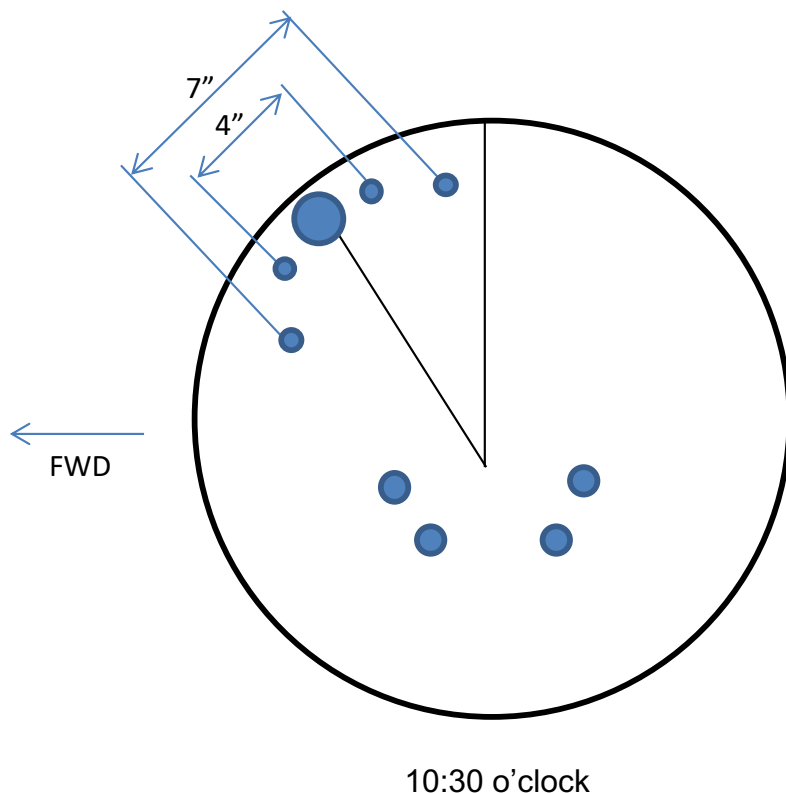
# Item #10001445

Legacy ID: B8557SBA

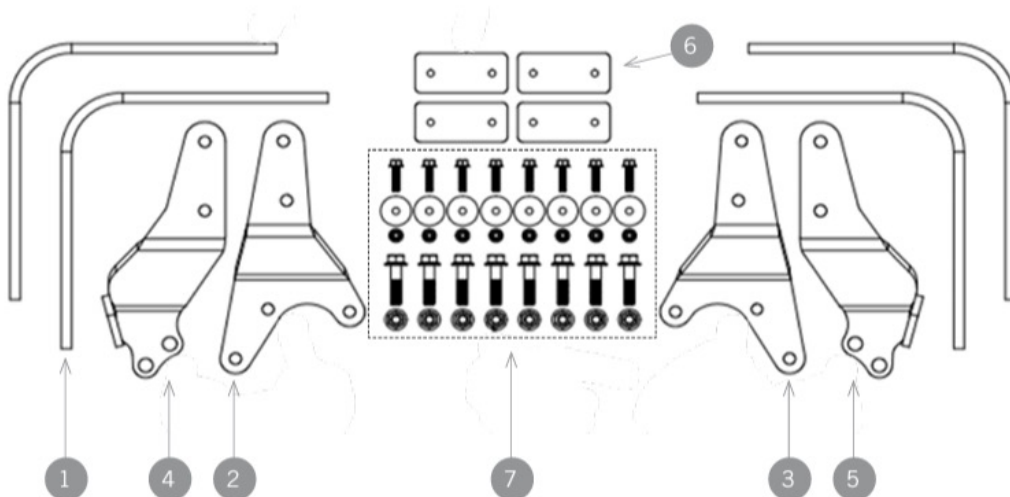
- Fits Eaton Brakes with 4 Bolt Cam Tube Flange
- Fits Drum Brakes Only - Not Compatible with Disc Brakes

**Axle Weight:**  
**8-13K**  
**Generic Fit**

**Fender:**  
**MIN161200**  
**MIN221800**



## Kit Components:



ITEM NO.	PART NUMBER	QTY.
1	10001492	4
2	10001517	1
3	10001518	1
4	10001537	1
5	10001538	1
6	10001463	4
7	10003062	1

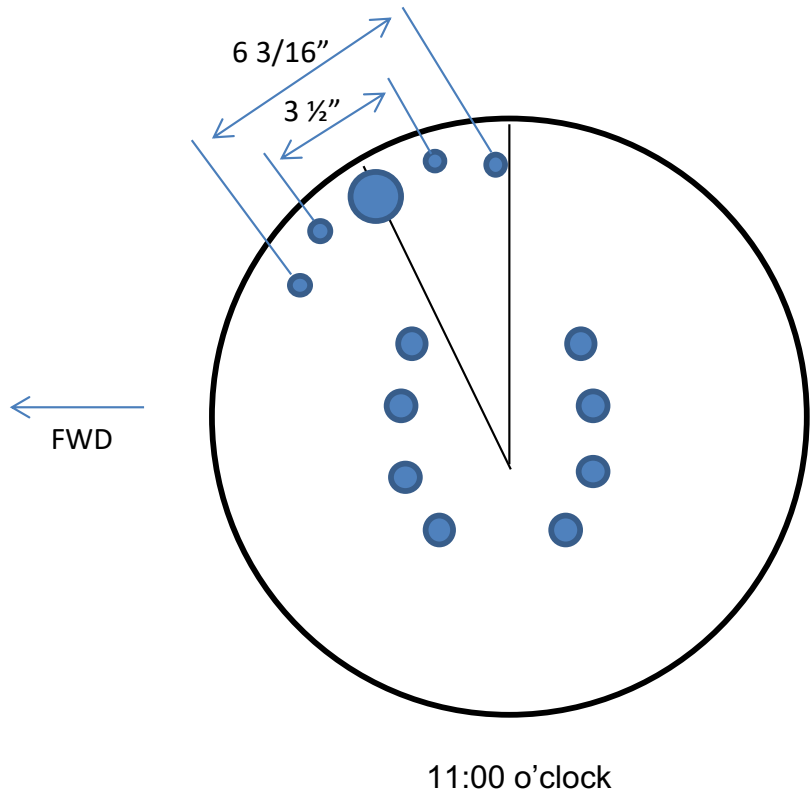
# Item # 10001446

Legacy ID: B856SBA

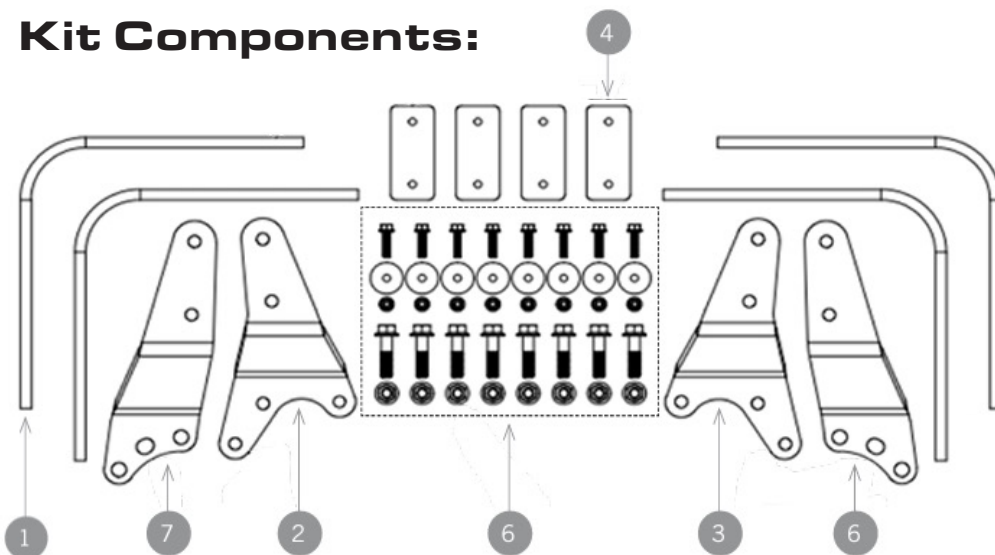
- Fits Link MFG 13.5K Model 723 & Watson Chalin
- Fits Drum Brakes Only – Not Compatible with Disc Brakes

**Axle Weight:**  
**8-13K**  
**Generic Fit**

**Fender:**  
**MIN161200**  
**MIN221800**



## Kit Components:



ITEM NO.	PART NUMBER	QTY.
1	10001492	4
2	10001515	1
3	10001516	1
4	10001463	4
5	10001540	1
6	10001539	1
7	10003062	1

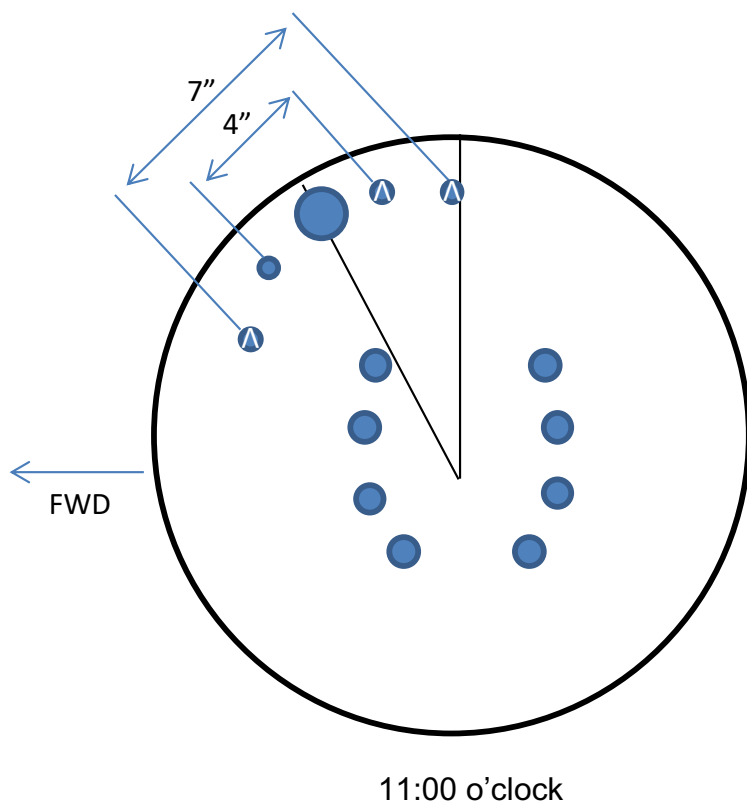
# Item #10001447

Legacy ID: B857SBA

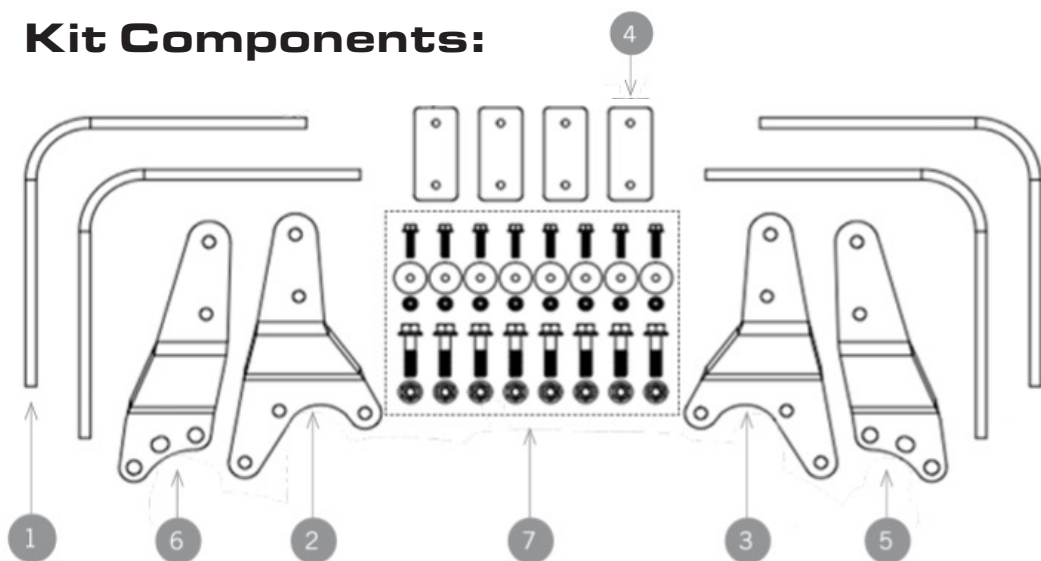
- Fits Eaton Brakes with 4 Bolt Cam Flange
- Common on Watson Chalin Axles Factory Installed on Peterbilts
- Fits Drum Brakes Only – Not Compatible with Disc Brakes

**Axle Weight:**  
**8-13K**  
**Generic Fit**

**Fender:**  
**MIN161200**  
**MIN221800**



## Kit Components:



ITEM NO.	PART NUMBER	QTY.
1	10001492	4
2	10001517	1
3	10001518	1
4	10001463	4
5	10001540	1
6	10001539	1
7	10003062	1

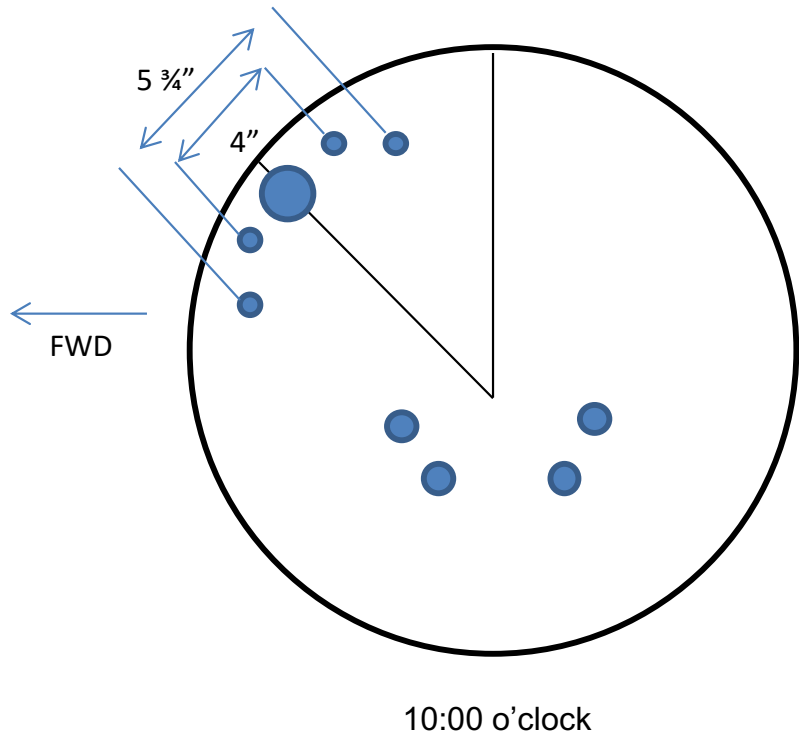
# Item # 10001448

Legacy ID: B862SBA

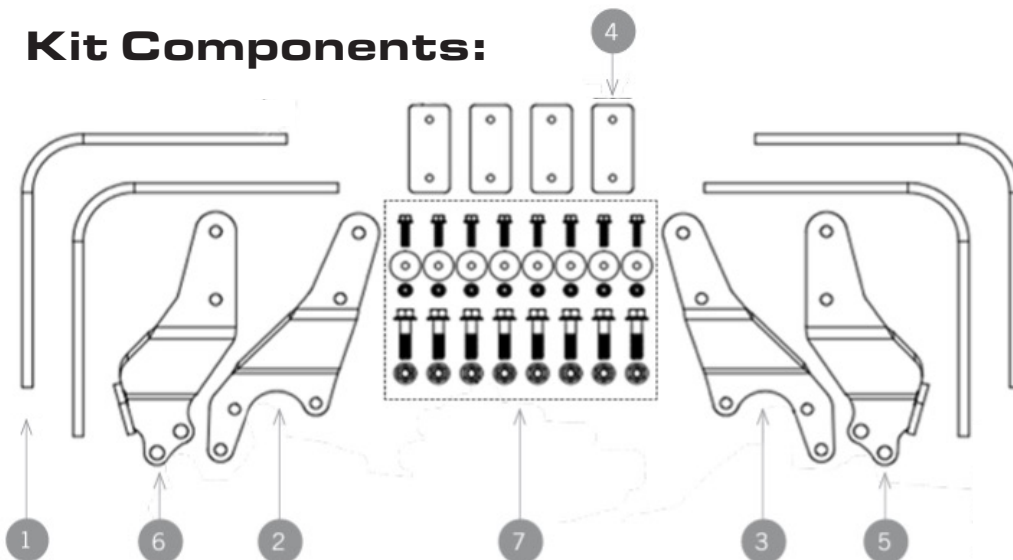
- Fits Hendrickson HLUS, HLUC, or HLUR Axle
- Fits Two Piece Spindle with Meritor Forward Cam
- Fits Drum Brakes Only – Not Compatible with Disc Brakes

**Axle Weight:**  
**8-13K**  
**Generic Fit**

**Fender:**  
**MIN161200**  
**MIN221800**



## Kit Components:



ITEM NO.	PART NUMBER	QTY.
1	10001492	4
2	10001521	1
3	10001522	1
4	10001463	4
5	10001538	1
6	10001537	1
7	10003062	1

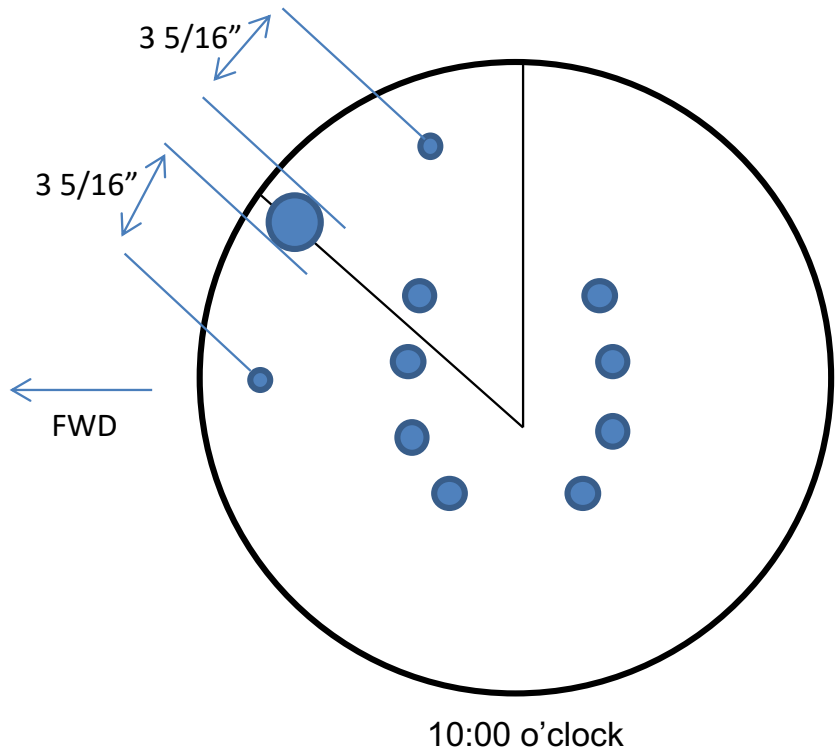
# Item # 10001449

Legacy ID: B863SBA

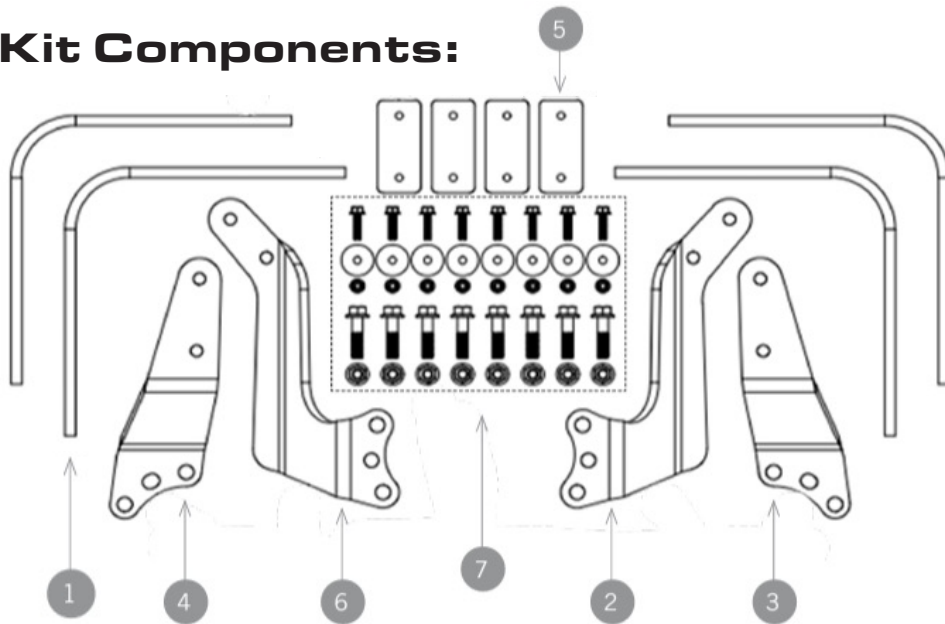
- Fits Eaton Brakes with 2-Bolt flange FWD Mount
- Typically fits Watson Chalin Forged I-Beam, or Link Models 490,712, and 715
- Fits Drum Brakes Only – Not Compatible with Disc Brakes

**Axle Weight:**  
**8-13K**  
**Generic Fit**

**Fender:**  
**MIN161200**  
**MIN221800**



## Kit Components:



ITEM NO.	PART NUMBER	QTY.
1	10001492	4
2	10001524	1
3	10001540	1
4	10001539	1
5	10001463	4
6	10001523	1
7	10003062	1



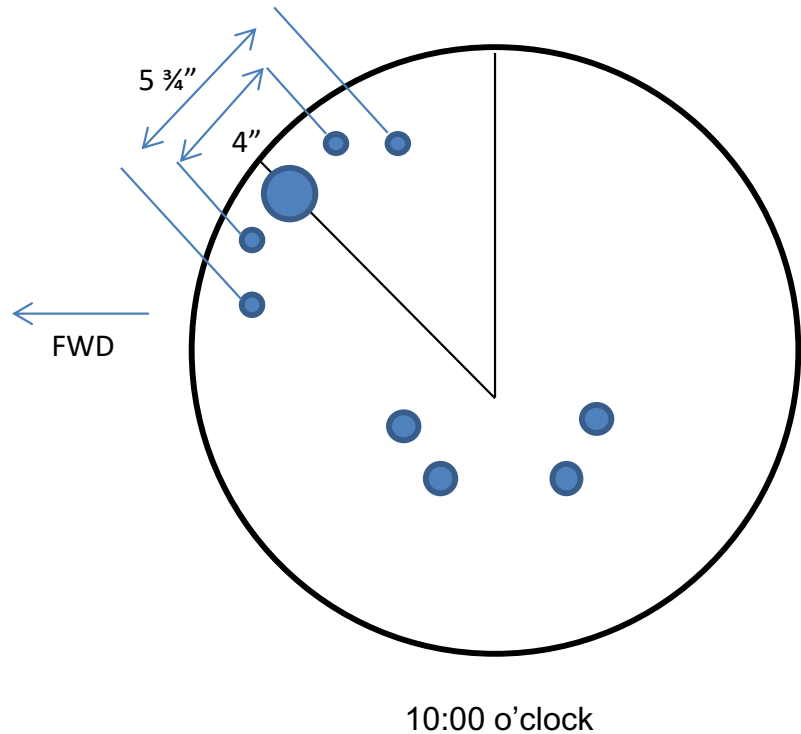
# Item # 10001450

Legacy ID: B865SBA

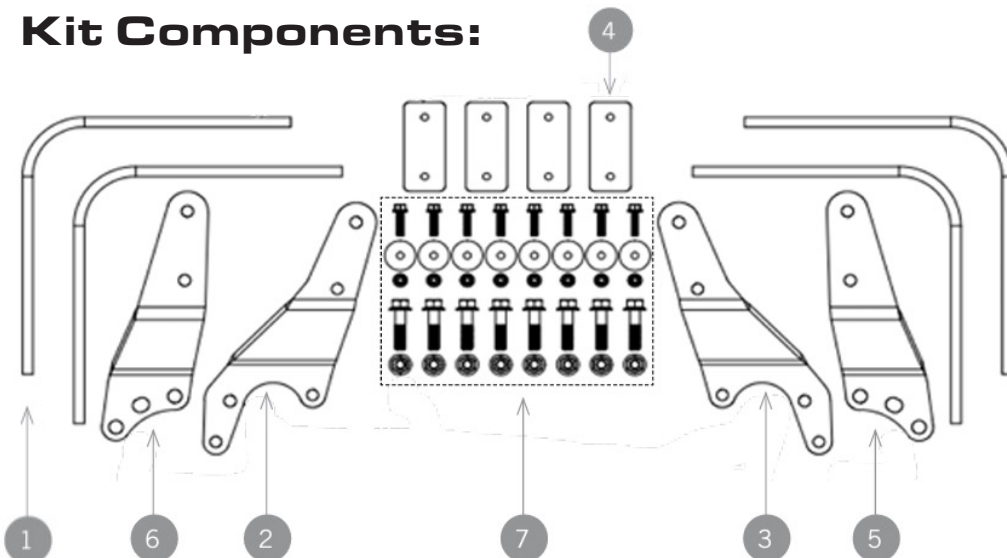
- Fits Meritor Brakes with 4-bolt Cam Flange FWD Mount
- Fits Drum Brakes Only – Not Compatible with Disc Brakes

**Axle Weight:**  
**8-13K**  
**Generic Fit**

**Fender:**  
**MIN161200**  
**MIN221800**



## Kit Components:



ITEM NO.	PART NUMBER	QTY.
1	10001492	4
2	10001521	1
3	10001522	1
4	10001463	4
5	10001540	1
6	10001539	1
7	10003062	1

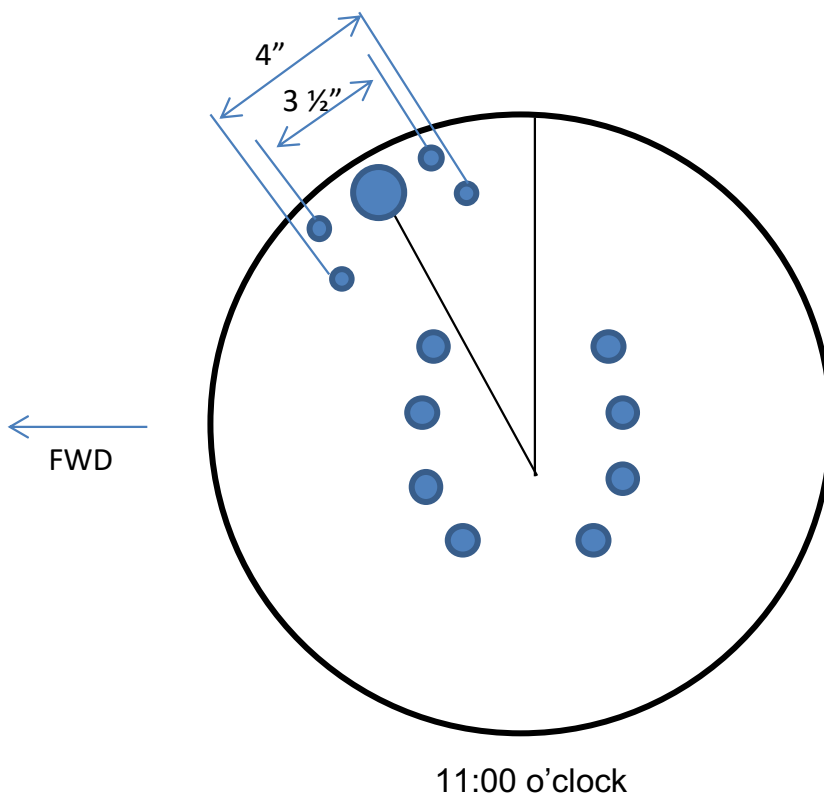
# Item #10001451

Legacy ID: B866SBA

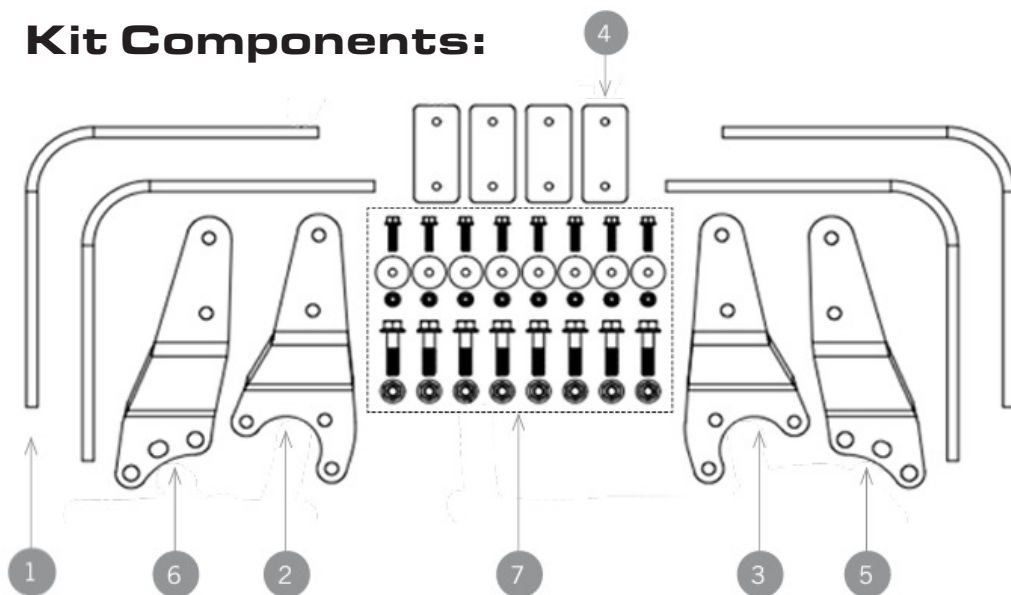
- Fits Eaton Brakes with Four-Bolt Forward Cam Flange
- Fits some factory installed Watson Chalin SL1190 Axles
- Fits Drum Brakes Only – Not Compatible with Disc Brakes

**Axle Weight:**  
**8-13K**  
**Generic Fit**

**Fender:**  
**MIN161200**  
**MIN221800**



## Kit Components:



ITEM NO.	PART NUMBER	QTY.
1	10001492	4
2	10001527	1
3	10001528	1
4	10001540	1
5	10001539	1
6	10001463	4
7	10003062	1

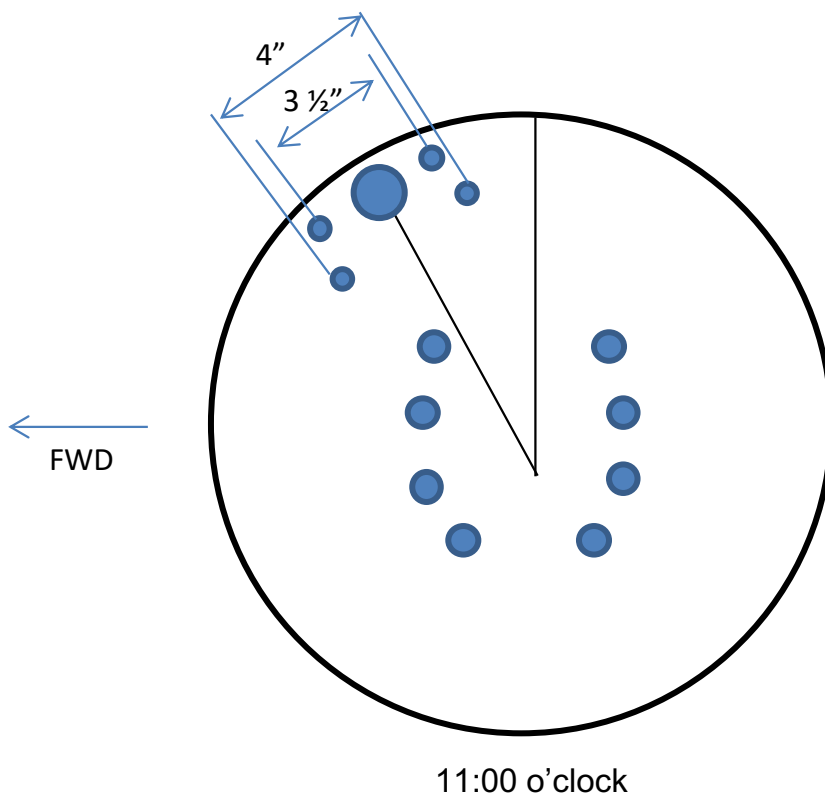
# Item # 10001452

Legacy ID: 100416

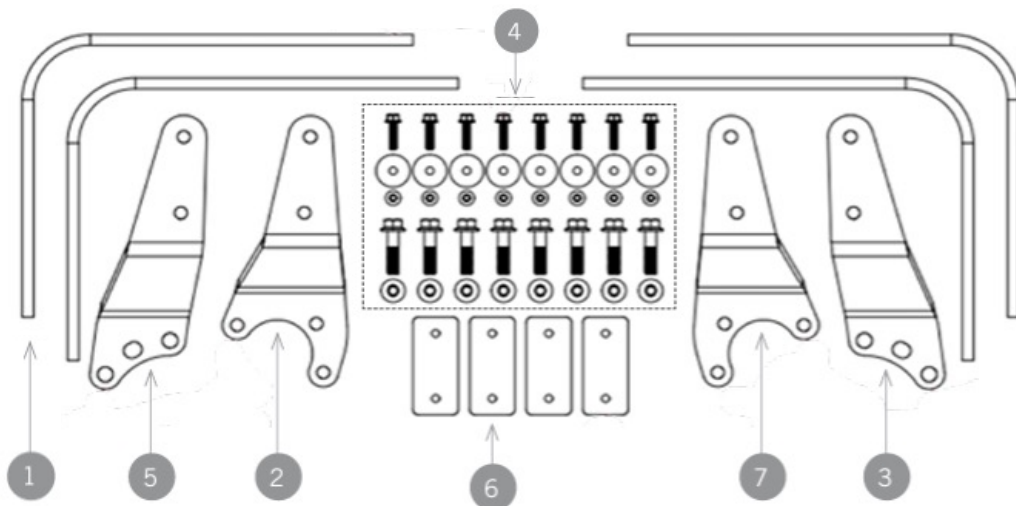
- Fits Eaton Four-Bolt Forward Cam Flange.
- Kit 10001451 with longer aluminum arms (13"x17.25")
- Fits Drum Brakes Only – Not Compatible with Disc Brakes

**Axle Weight:**  
**8-13K**  
**Generic Fit**

**Fender:**  
**MIN161200**  
**MIN221800**



## Kit Components:



ITEM NO.	PART NUMBER	QTY.
1	10001493	4
2	10001527	1
3	10001540	1
4	10003062	1
5	10001539	1
6	10001463	4
7	10001528	1

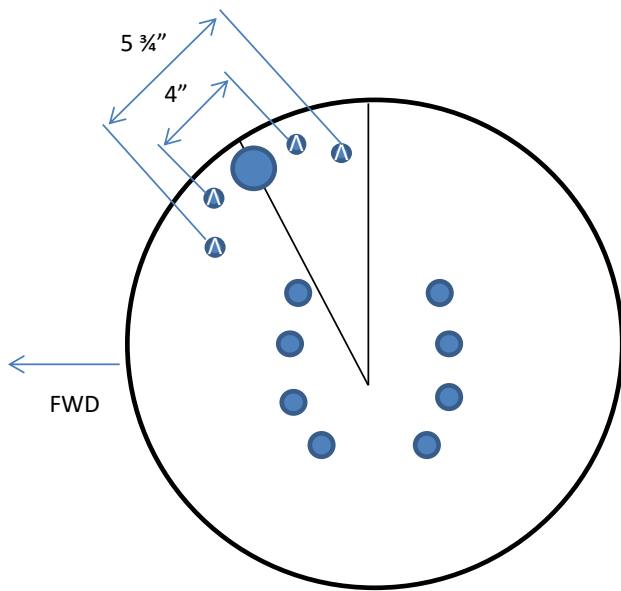
# Item # 10001453

Legacy ID: B867SBA

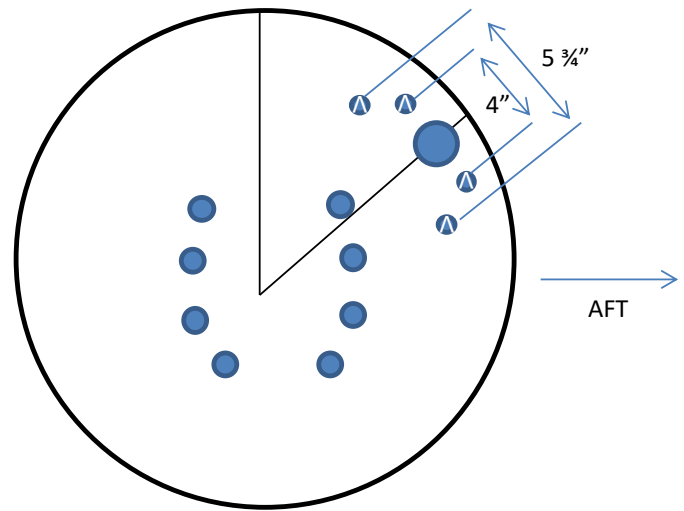
- Fits Meritor Brakes with 4 Bolt Cam Flange
- Fits Drum Brakes Only – Not Compatible with Disc Brakes

**Axle Weight: 8-13K**  
**Generic Fit**

**Fender: MIN161200**  
**MIN221800**

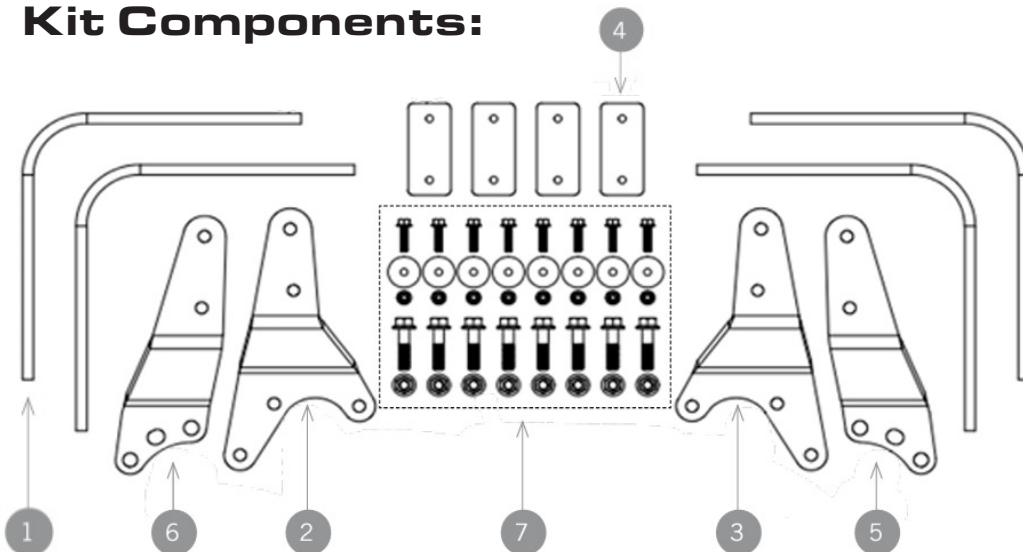


11:00 o'clock



2:00 o'clock

## Kit Components:



ITEM NO.	PART NUMBER	QTY.
1	10001492	4
2	10001529	1
3	10001530	1
4	10001540	1
5	10001539	1
6	10001463	4
7	10003062	1

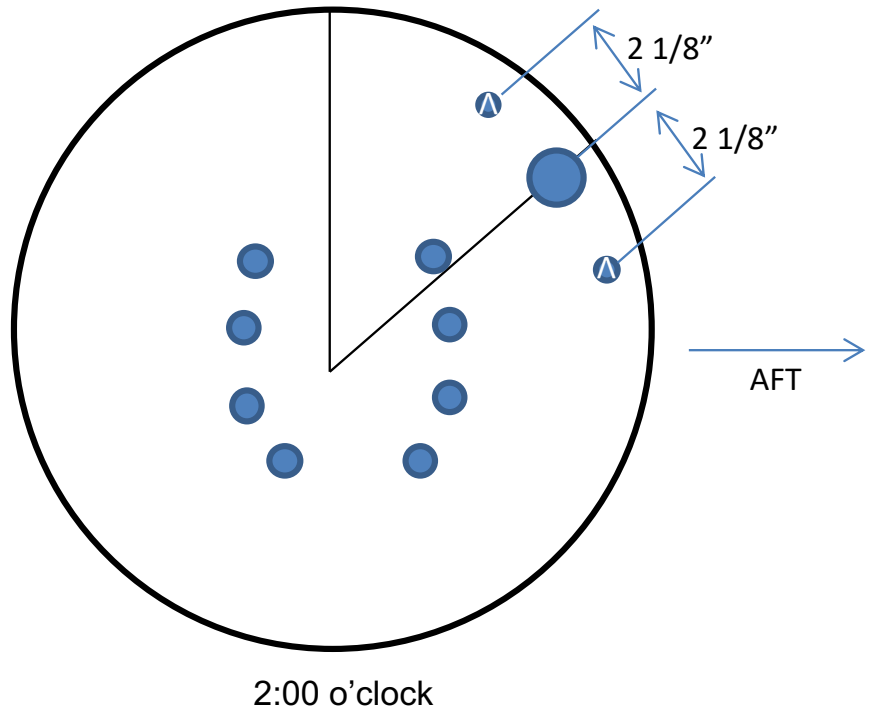
# Item # 10001454

Legacy ID: B868SBA

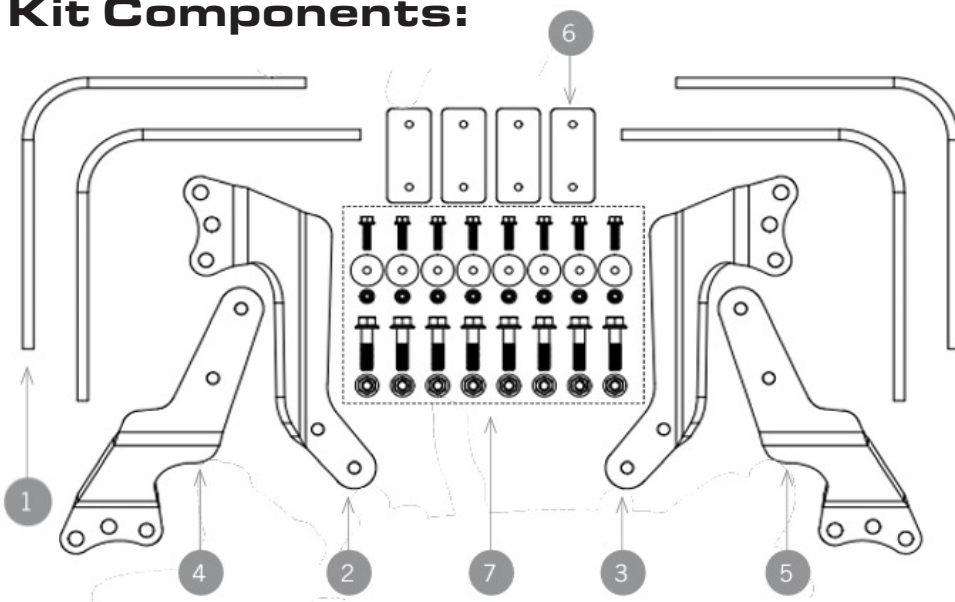
- Fits Eaton Brakes with 2 Bolt Cam Flange Rear Mount
- Fits Drum Brakes Only – Not Compatible with Disc Brakes

**Axle Weight:**  
**8-13K**  
**Generic Fit**

**Fender:**  
**MIN161200**  
**MIN221800**



## Kit Components:



ITEM NO.	PART NUMBER	QTY.
1	10001492	4
2	10001523	1
3	10001524	1
4	10001531	1
5	10001532	1
6	10001463	4
7	10003062	1

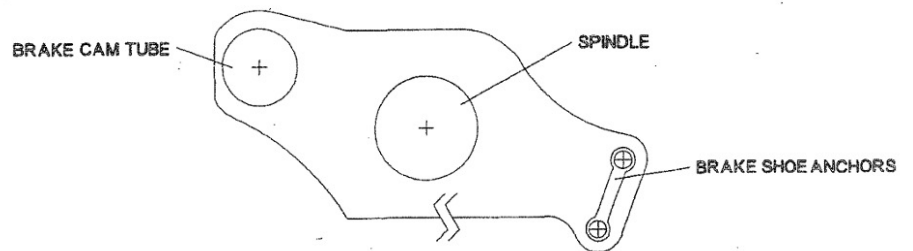
# Item # 10001444

Legacy ID: 101352

- Designed for 8K to 13K axles with a welded-on brake cam-tube flange
- Fits Hendrickson Model SCT13, SCB13, SCY13, or STT13
- Fits some Watson-Chalin Model SL1195 Axles.
- Not compatible with a bolt-on cam-tube flange
- Fits Drum Brakes Only – Not Compatible with Disc Brakes

**Axle Weight:**  
**8-13K**  
**Model Specific**

**Fender:**  
**MIN161200**  
**MIN221800**

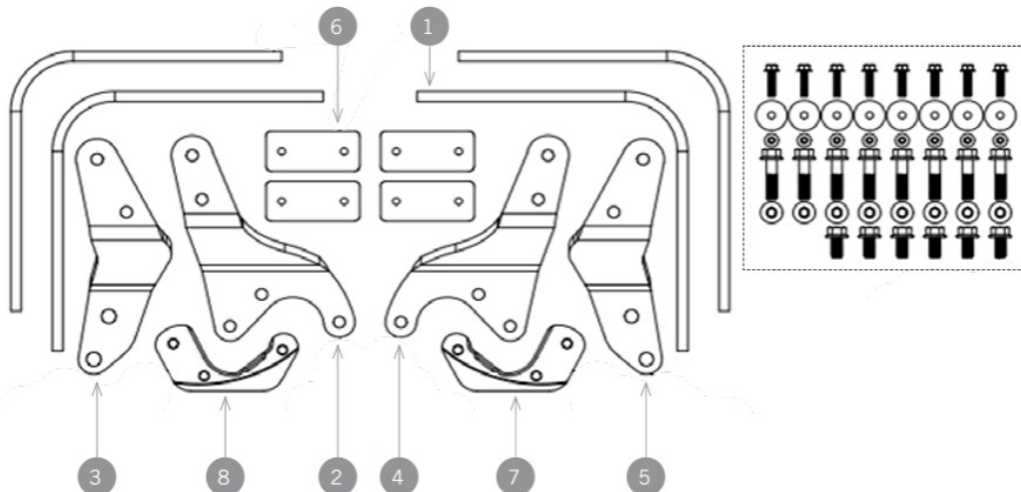


LEFT HAND (DRIVERS) SIDE DRAWN WITHOUT WHEEL, TIRE, HUB, DRUM AND BRAKE SHOES



Installation  
Requires  
Welding

## Kit Components:



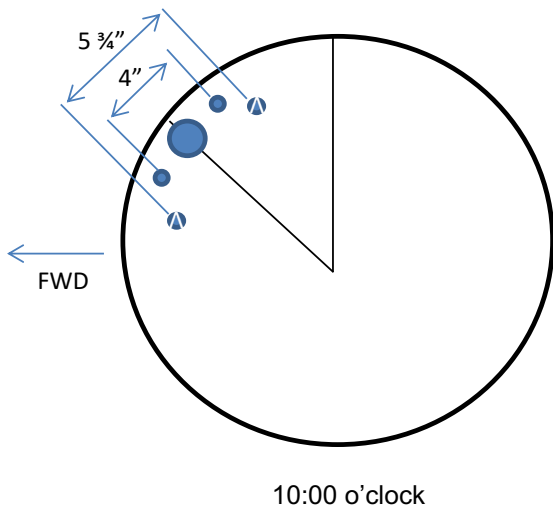
ITEM NO.	PART NUMBER	QTY.
1	10001492	4
2	10001509	1
3	10001513	1
4	10001510	1
5	10001514	1
6	10001463	4
7	10001508	1
8	10001507	1
9	10003061	1

# Item # 10001455

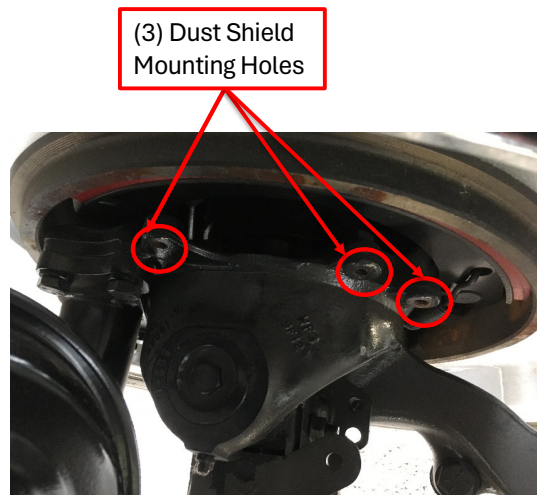
Legacy ID: 105714

- Compatible with Hendrickson EXS13 with bolt-on cam-tube flange.
- Must have (3) dust shield mounting holes on cast backbone assembly.
- Does not fit EXS13 axles with fewer than 3 dust shield mounting holes.
- Does not fit EXS08 Axles
- Fits Drum Brakes Only – Not Compatible with Disc Brakes

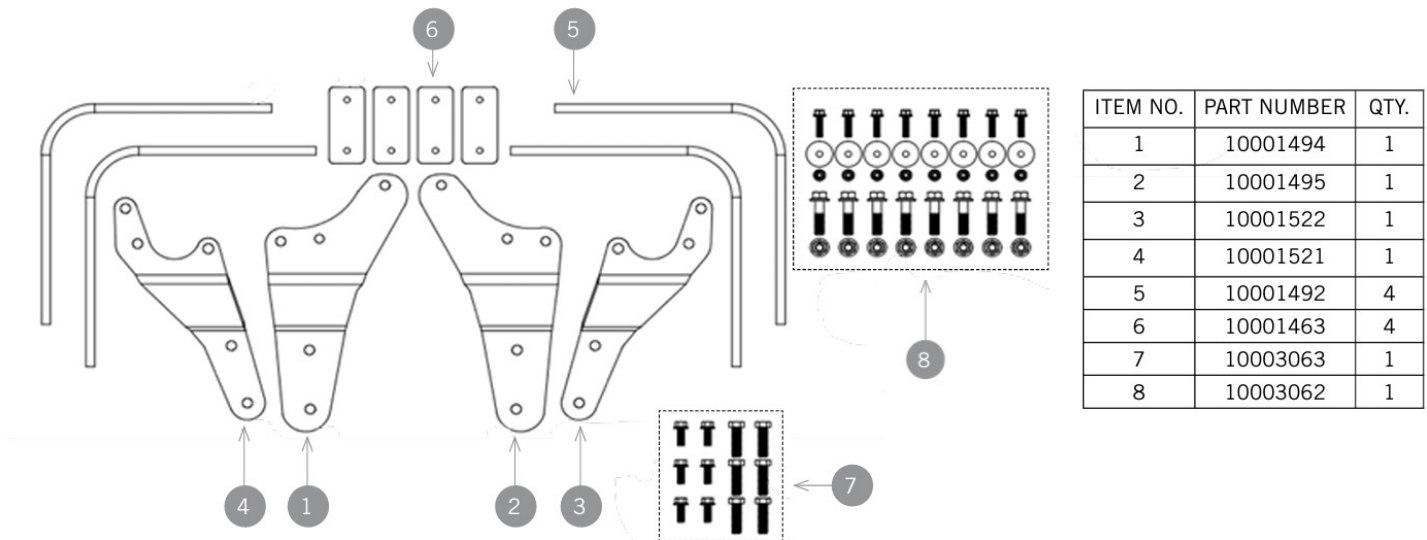
## Axle Weight: 10-13K Model Specific



## Fender: MIN161200 MIN221800



## Kit Components:



ITEM NO.	PART NUMBER	QTY.
1	10001494	1
2	10001495	1
3	10001522	1
4	10001521	1
5	10001492	4
6	10001463	4
7	10003063	1
8	10003062	1

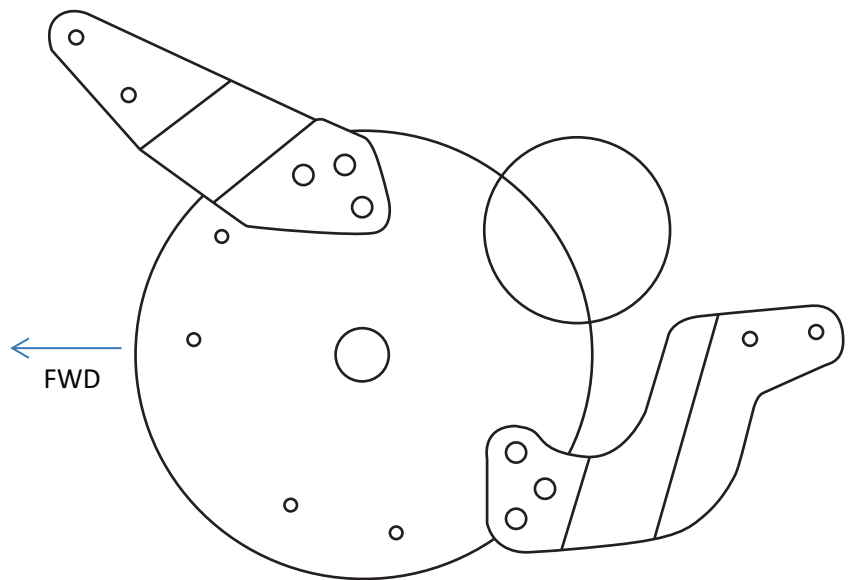
# Item #10001457

Legacy ID: 105615

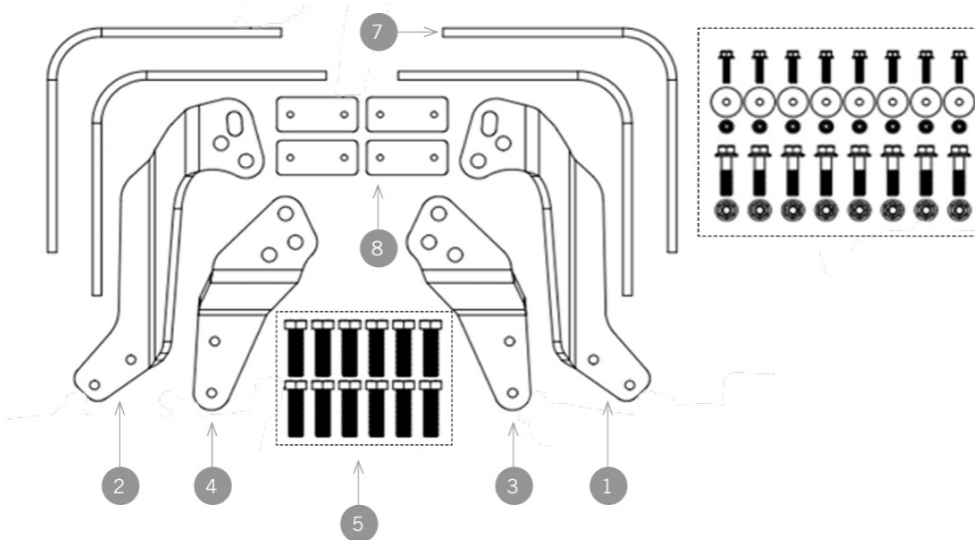
- Fits Watson Chalin SL13K-1190 with Bendix Disc Brakes
- Does Not Fit Drum Brakes

**Axle Weight:**  
**13K**  
**Model Specific**

**Fender:**  
**MIN161200**  
**MIN221800**



## Kit Components:



ITEM NO.	PART NUMBER	QTY.
1	10001499	1
2	10001498	1
3	10001496	1
4	10001497	1
5	10003057	1
6	10003062	1
7	10001492	4
8	10001463	4



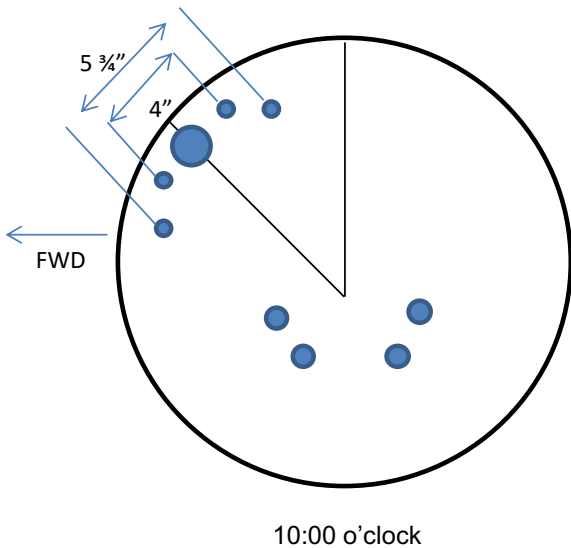
# Item # 10001459

Legacy ID: 104386

- Compatible with Hendrickson model UHT13 steerable lift axle
- Designed for axles with steering bump stop bracket (see image below)
- Designed for backing plate with offset surfaces.
- Fits Drum Brakes Only - Not Compatible with Disc Brakes

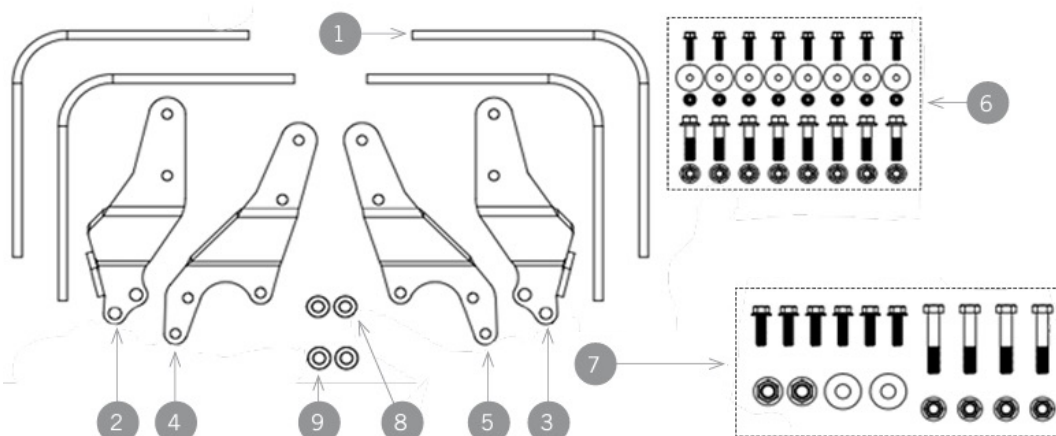
**Axle Weight: 13K**  
**Model Specific Fit**

**Fender: MIN161200**  
**MIN221800**



Rear Steering Stop  
Bracket Interface

## Kit Components:



ITEM NO.	PART NUMBER	QTY.
1	10001492	4
2	10001541	1
3	10001542	1
4	10001521	1
5	10001522	1
6	10003062	1
7	10003067	1
8	10003150	2
9	10003149	2

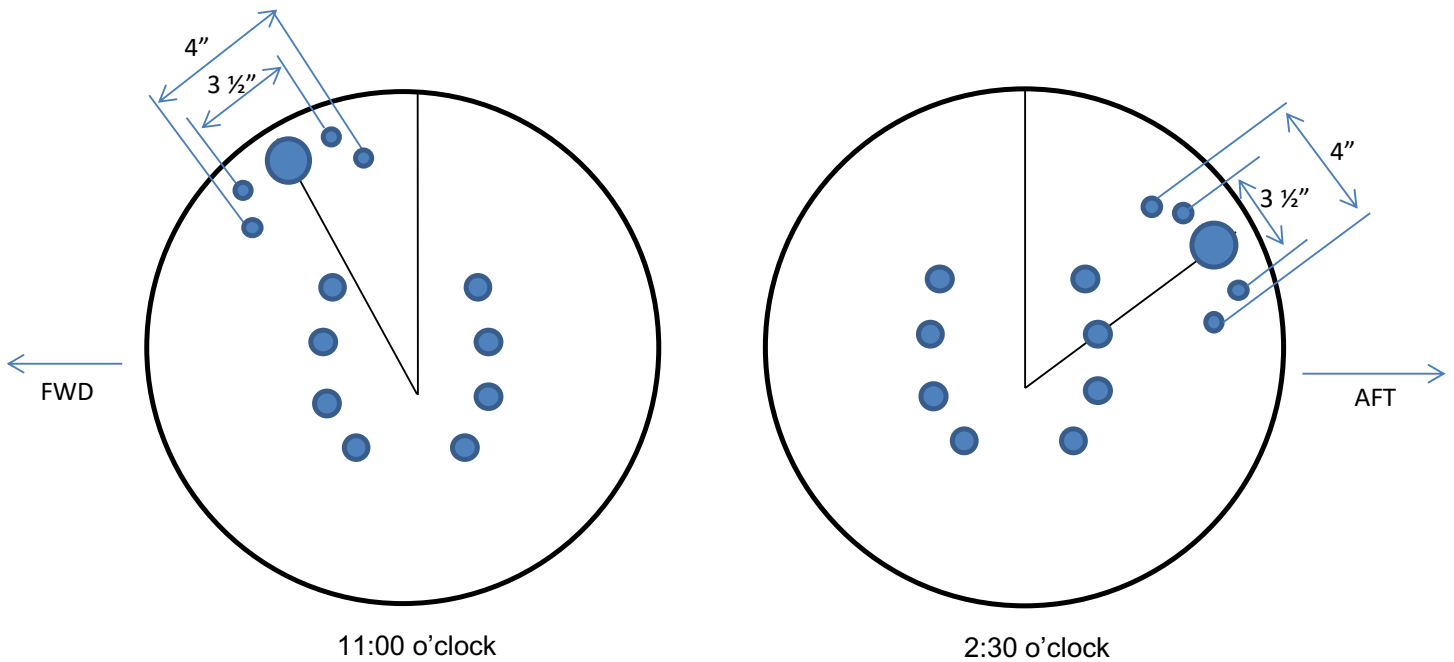
# Item # 10001443

Legacy ID: B6684SBA

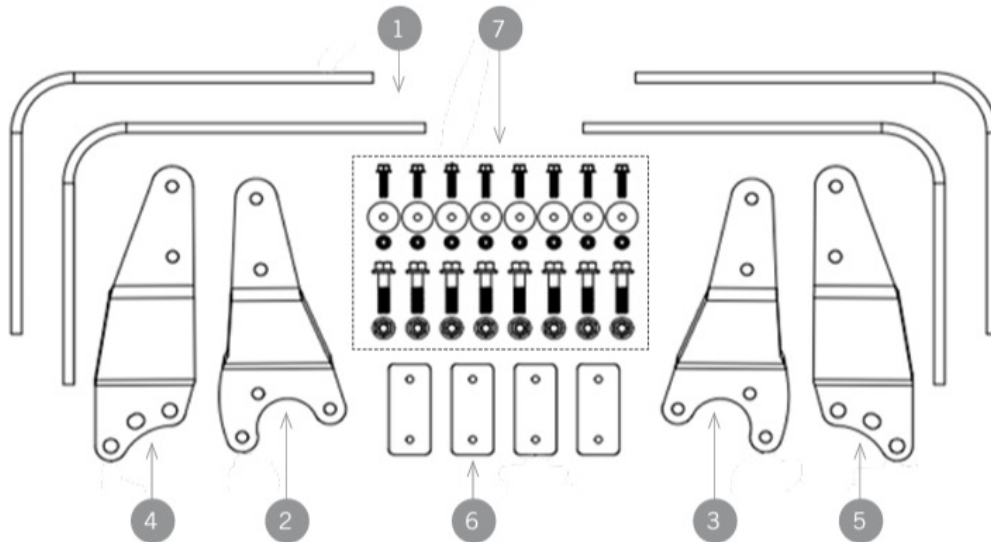
- Fits Meritor Brakes with 4 Bolt Cam Flange
- Fits Drum Brakes Only – Not Compatible with Disc Brakes

**Axle Weight: 20K**  
**Generic Fitw**

**Fender: MIN2220**



## Kit Components:



ITEM NO.	PART NUMBER	QTY.
1	10001493	4
2	10001525	1
3	10001526	1
4	10001535	1
5	10001536	1
6	10001463	4
7	10003062	1

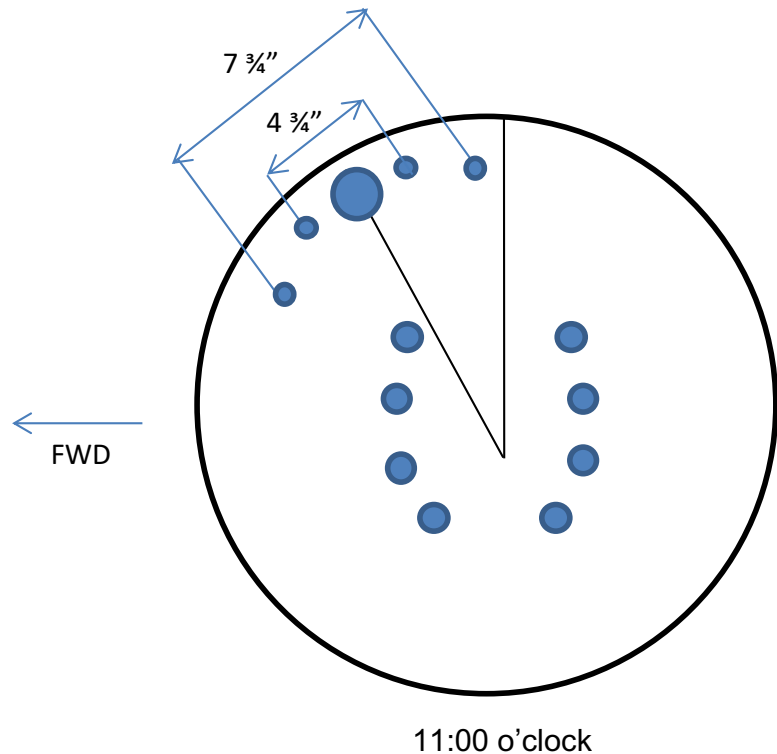
# Item # 10001458

Legacy ID: 104264

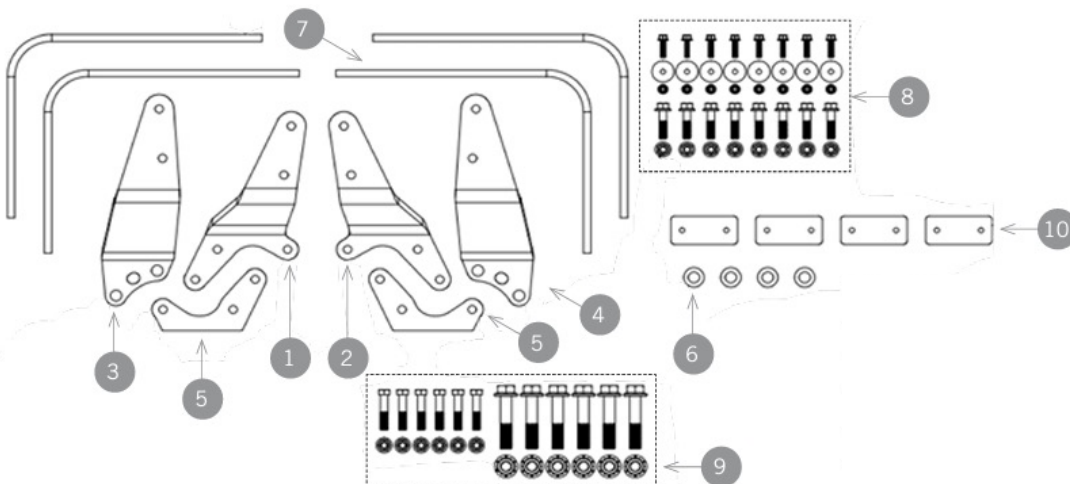
- Fits Watson-Chalin Model SL2065 with bolt-on cam-tube flange
- Not compatible on axles with a weld-on cam-tube flange
- Fits Drum Brakes Only – Not Compatible with Disc Brakes

**Axle Weight:**  
**20K**  
**Model Specific**

**Fender:**  
**MIN2220**



## Kit Components:



ITEM NO.	PART NUMBER	QTY.
1	10001519	1
2	10001520	1
3	10001533	1
4	10001534	1
5	10001502	2
6	10003152	4
7	10001493	4
8	10003062	1
9	10003065	1
10	10001463	4

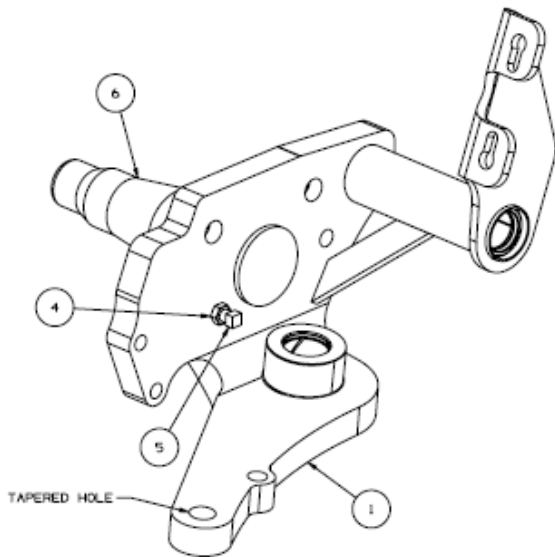
# Item # 10008905

Legacy ID: 10007887

- Fits Hendrickson model EXS20 steerable lift axle only
- Does not fit axles with bolt on cam flange
- Fits Drum Brakes Only – Not Compatible with Disc Brakes
- Installation requires welding

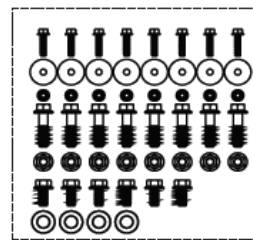
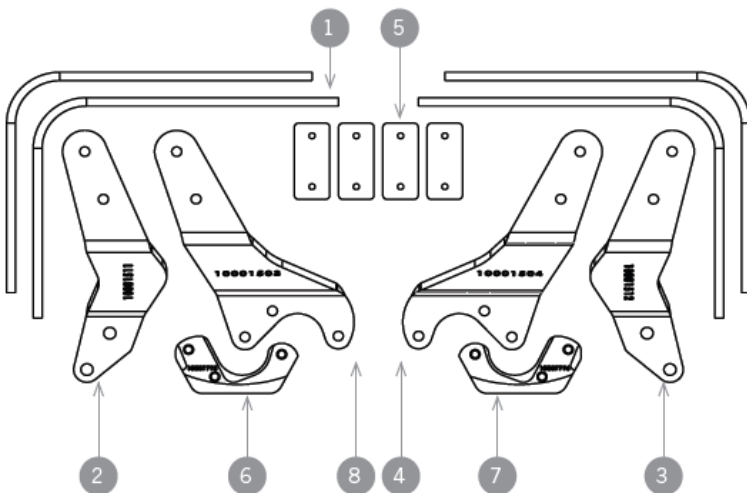
**Axle Weight: 20K**  
**Model Specific Fit**

**Fender: MIN2220**



View of Weld-on Bracket

## Kit Components:



ITEM NO.	PART NUMBER	QTY.
1	10001493	4
2	10001511	1
3	10001512	1
4	10001504	1
5	10001463	4
6	10007795	1
7	10007796	1
8	10001503	1
9	10003060	1

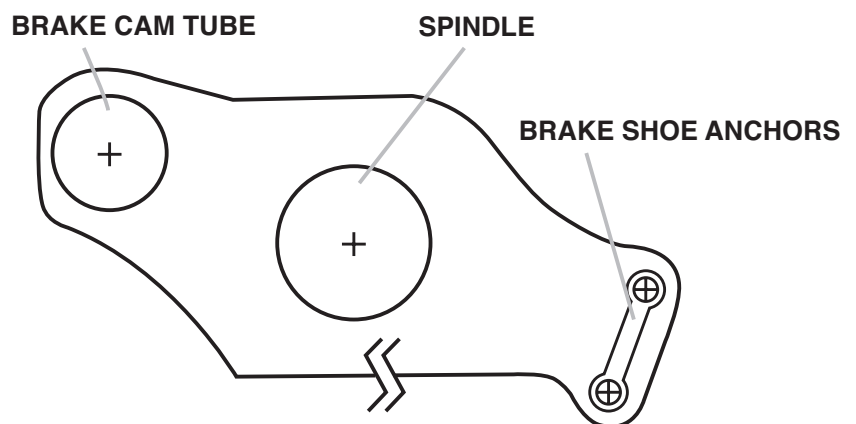
# Item # 10001442

Legacy ID: 101439

- Fits Hendrickson Model SC20 or SCT20
- Must have welded-on cam-tube flange
- Not compatible for axles with a bolt-on cam-tube flange
- Fits Drum Brakes Only – Not Compatible with Disc Brakes
- Installation requires welding

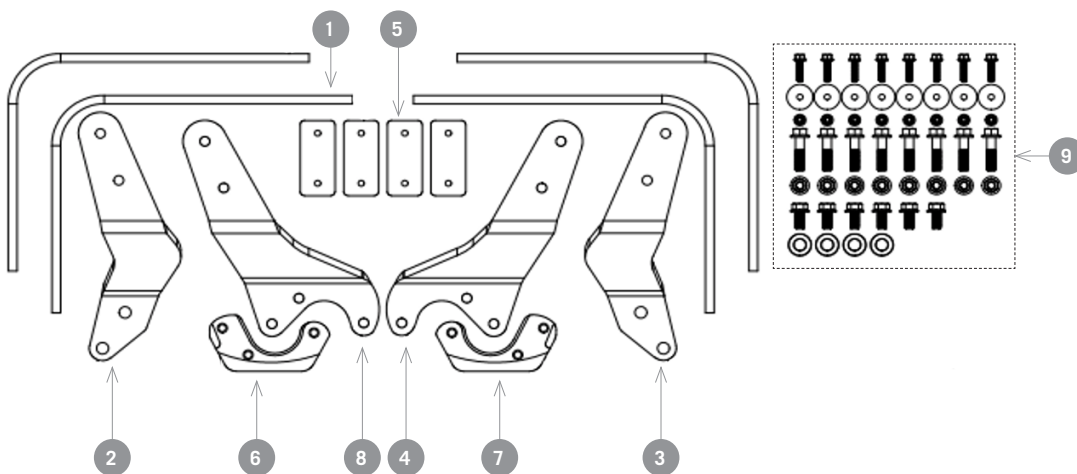
**Axle Weight:**  
**20K**  
**Model Specific**

**Fender:**  
**MIN2220**



LEFT HAND (DRIVERS) SIDE DRAWN WITHOUT WHEEL, TIRE, HUB, DRUM AND BRAKE SHOES

## Kit Components:



ITEM NO.	PART NUMBER	QTY.
1	10001493	4
2	10001511	1
3	10001512	1
4	10001504	1
5	10001463	4
6	10001505	1
7	10001506	1
8	10001503	1
9	10003060	1

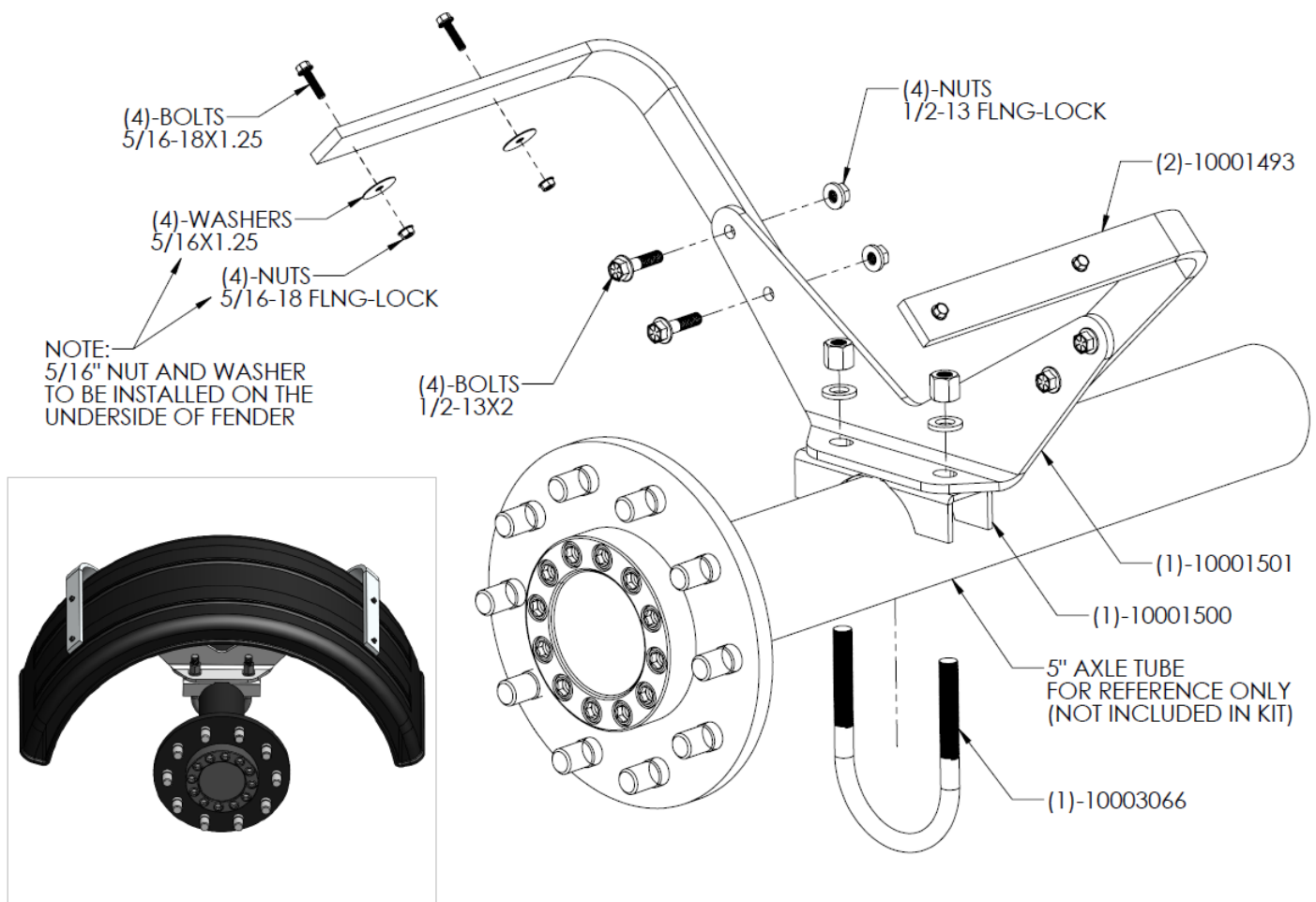
# Item # 10001441

Legacy ID: B-SHORTLIFTAX

- Intended for non-steerable lift axle with single wheel
- Does Not Fit Duals
- Fits 5" Diameter Axle Tube Only
- Flexibility to install fender under or over the brackets (see below)

## "BRACKET ABOVE FENDER OPTION"

KIT #10001441  
SHORT-LIFT AXLE DIAGRAM

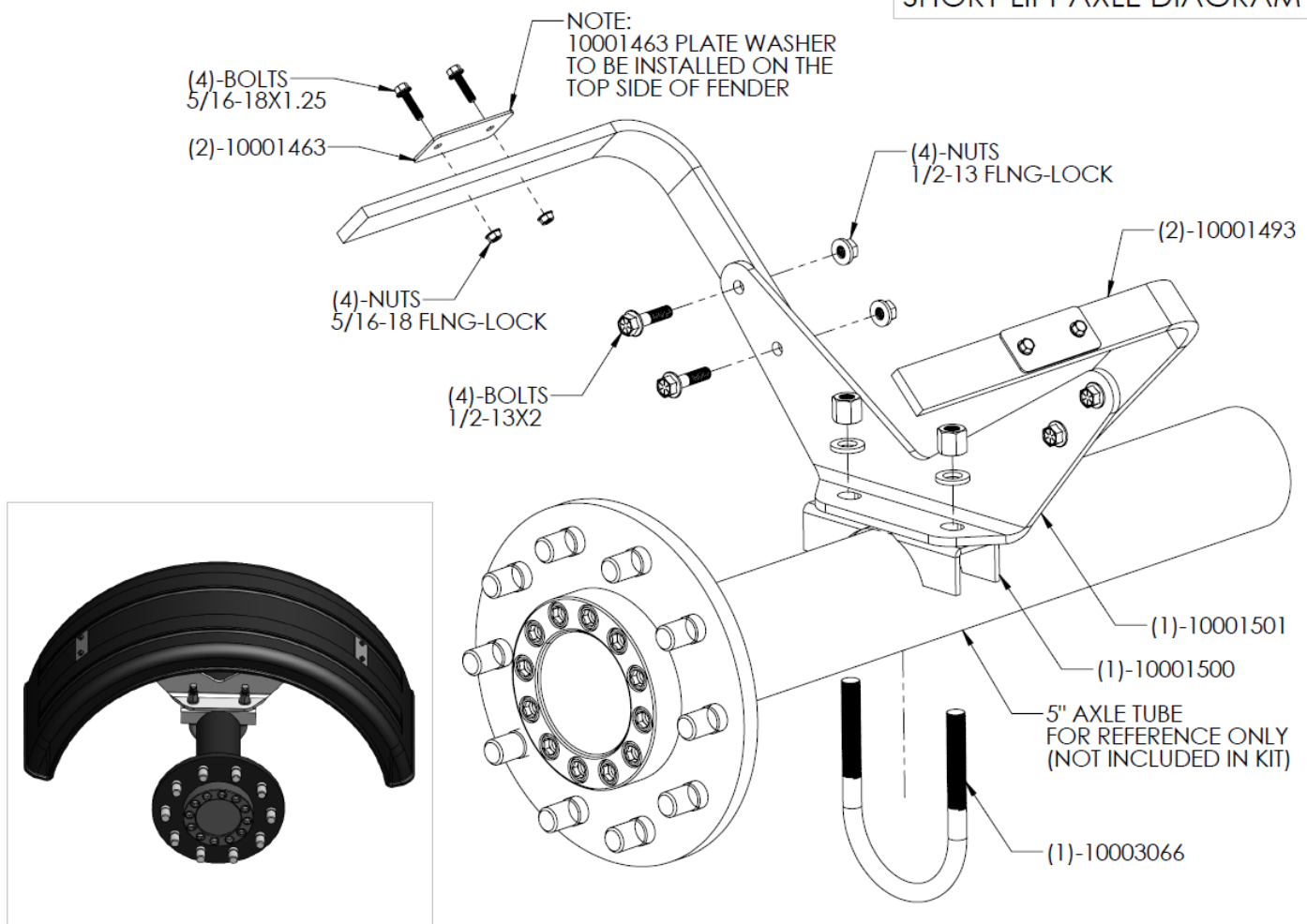


# Non-Steer Lift Axle Single Wheel

## Fender: MIN2218 MIN2220

### "BRACKET UNDER FENDER OPTION"

KIT #10001441  
SHORT-LIFT AXLE DIAGRAM



Item #10004277

A DIVISION OF **HIGH BAR BRANDS, LLC**



**HIGH BAR  
BRANDS**

2701 18th St SW • PO Box 740 • Owatonna, MN 55060

1-800-248-3855 | Fax: 507-583-7540

[www.MINIMIZER.com](http://www.MINIMIZER.com)