

IMPORTANT SAFETY INFORMATION

READ BEFORE INSTALLING OR USING MINIMIZER TRAILER SLICK PLATE

SAFETY INSTRUCTIONS FOR INSTALLATION:

- Use only as specified on the underside of your trailer.
- Carefully follow each of the installation instructions for Minimizer Trailer Slick Plate on the following pages.
- When using power tools, basic safety precautions should always be taken to reduce the risk of injury.

WARNING: DO NOT use a 5th Wheel Slick Plate or Insert Style Slick Plate in conjunction with the Trailer Slick Plate. The installation of a Trailer Slick Plate adds 1/4" to the underside of the trailer. Verify that this does not affect the fit or function of the 5th wheel to king pin connection.

If you have questions about these instructions or proper installation of your Minimizer Trailer Slick Plate, please contact Minimizer at (800) 248-3855.

TOOLS RECOMMENDED FOR INSTALLATION:

- Marker
- T40 Torx® Bit
- Center Punch or Centering tool
- Drill with 1/8", 17/64" and 9/32" drill bits
- Loctite®
- Impact Driver

INSTALLATION PROCEDURE:

1. Degrease 5th Wheel and Upper Coupler Plate with solvent, or steam clean to remove grease.

WARNING: Avoid getting water behind Plate when steam cleaning.

2. To prevent corrosion prime and paint the area the Trailer Slick Plate will be installed on.

WARNING: Be sure all burrs are removed from the 5th wheel to avoid damaging the Trailer Slick Plate.

3. Place the Trailer Slick Plate on the upper coupler plate with the beveled edge facing the front of the trailer. **(See Figure 1)**
 - a. Ensure the Trailer Slick Plate is pushed flat against the trailer during installation.
 - b. The front edge of the Trailer Slick Plate should be flush or no more than 2" behind the edge of the trailer. This guideline does not apply to slick plate 10004485. **(See note 3c below)**
 - c. The front edge of Trailer Slick Plate 10004485 may be as much as 15" behind the front of the trailer due to the 37"-52" king pin setback specification.
 - d. If the Trailer Slick Plate extends beyond the front of the trailer or the upper coupler plate, **DO NOT INSTALL.**
4. Using the Trailer Slick Plate as a template, mark the #1 and #2 holes shown in **Figure 2** with a center punch or centering tool.

FIGURE 1

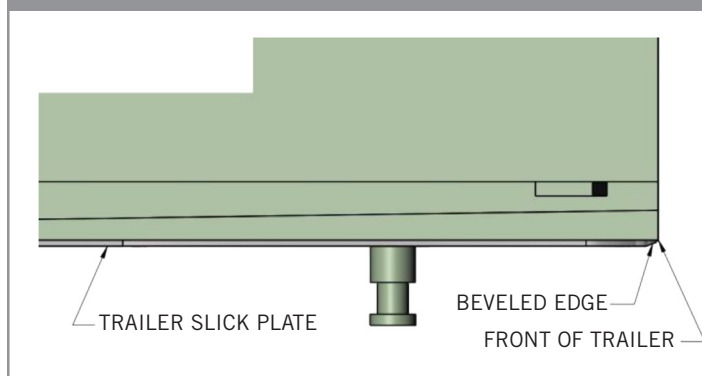
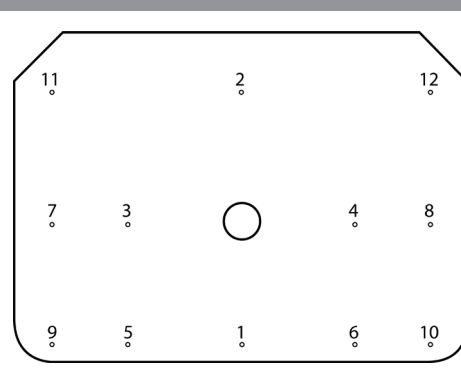


FIGURE 2



5. Drill holes #1 and #2 all the way through with a 1/8" drill bit. If you encounter a beam, you only need to drill to the depth of the mounting screw.

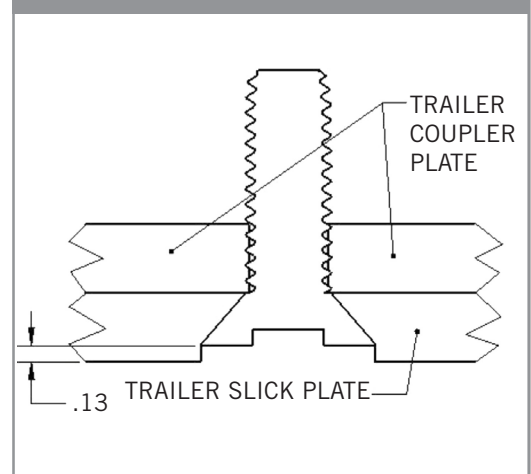
NOTE: Cutting oil is recommended when drilling.

6. After 1/8" pilot hole is drilled, use the 7/64" bit to finish the hole. If the screws are going in tight or breaking, use a 9/32" finishing bit. This is usually necessary for hard or thick upper plates.
 - a. Place a drop of Loctite® only at the base of the screw.
 - b. Use impact driver with T40 bit to install the Torx® screws provided.
 - c. Torx® screws should be countersunk 1/8" as shown in **Figure 3** to avoid contact with the 5th wheel.
7. Follow the same procedure for the rest of the holes in your Trailer Slick Plate. Working from the holes closest to the king pin outward as shown in **Figure 2**.

NOTE: The number of holes will vary with the size of the Trailer Slick Plate.

8. If the screw breaks off and you need to relocate a hole, follow the procedure below.
 - a. Drill a 5/16" hole in the Trailer Slick Plate next to the broken screw hole.
 - b. Countersink the hole with a standard 82-degree countersink.
 - c. Install Torx® screw per the normal procedure above.

FIGURE 3



OPERATION:

- Make sure the 5th wheel is not equipped with any other slick product. The use of both systems may result in failed jaw engagement with the king pin causing system failure.
- While hooking to the trailer, it is required to back square to the trailer and ensure that the trailer is at the correct height to prevent damage to the Trailer Slick Plate.
- After hooking the trailer and prior to tractor/trailer operation, ensure that the locking jaws on the 5th wheel are fully engaged and the trailer king pin is locked into position.

MAINTENANCE:

- DO NOT GREASE THE 5TH WHEEL. For best performance and longevity, it is recommended to keep the Trailer Slick Plate clean and dry.
- Remove grease from the contact surface of the 5th wheel prior to hooking up.
- Always be sure 5th wheels are deburred before pinning up to Trailer Slick Plate.
- Periodically check bolts/nuts/screws and retighten if necessary.
- Continue to follow 5th wheel manufacturer's lubrication and maintenance recommendations for the locking mechanism and king pin.

WARRANTY:

Minimizer Trailer Slick Plates are backed by a 5 Year Manufacturer's Warranty and are guaranteed against flaws due to faulty materials and/or unintended production variations. This warranty extends only to the original purchaser and excludes damage caused by abnormal use or conditions, including but not limited to extreme abrasive conditions and/or excessive exposure to chemicals such as grease, gasoline, and other fuels.

A DIVISION OF **HIGH BAR BRANDS, LLC**



2701 18th Street SW, Owatonna, MN 55060
1-800-248-3855 | Fax: 507-583-7540
www.highbarbrands.com